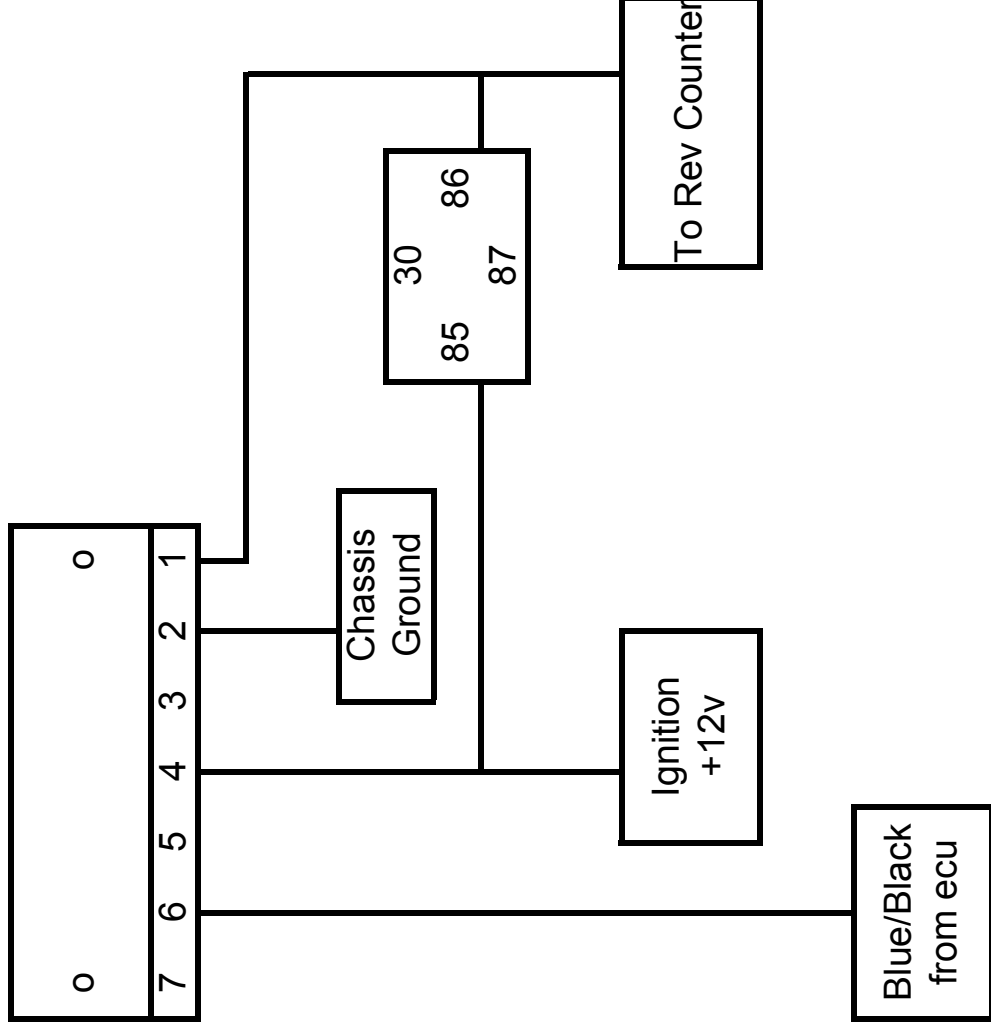


# TACHO BOOSTER FOR WASTED SPARK ENGINES

TP100 MODULE



There are two types of rev counters

1) Rev counters that connect to a ecu  
Square wave trigger

2) Rev counters that connect to ignition coil  
negative Coil negative trigger

Dicktator will connect to a square wave  
trigger rev counter but coil negative rev  
counters will require a booster

Take a normal 4 or 5 pin relay remove the  
contact plate inside and connect as shown